



High quality cooling solutions for your needs.



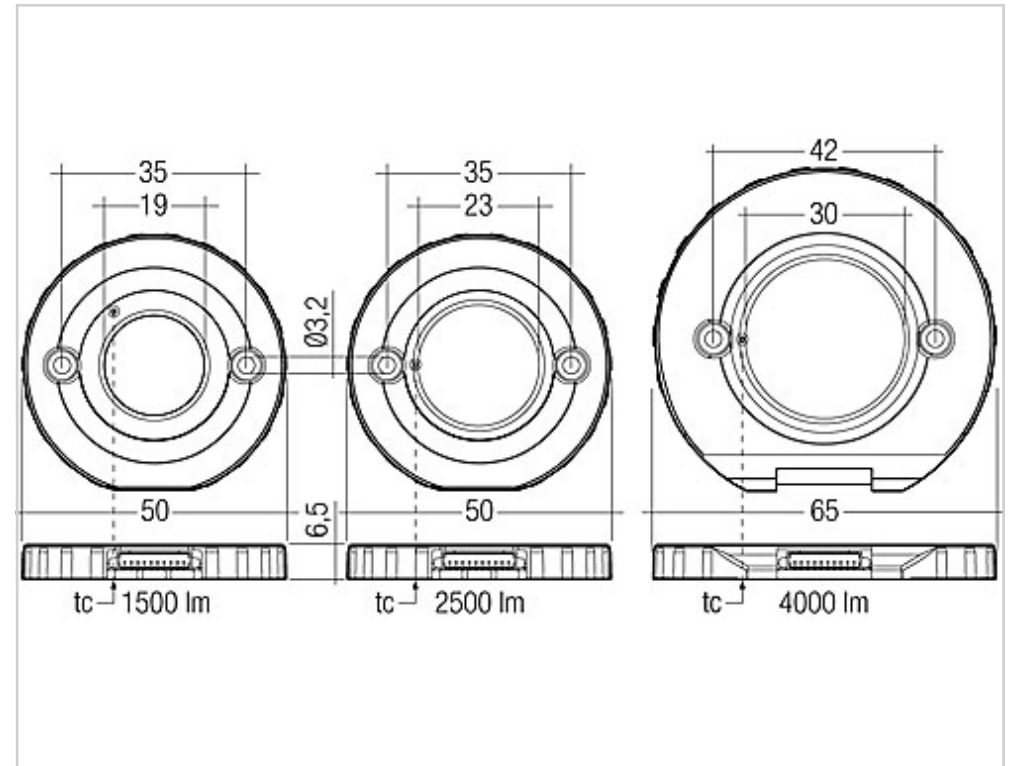
Asia Vital Components Co., LTD (AVC), as a global market leader for thermal solutions, is dedicated with diverse thermal management, manufacturing, and development of innovative cooling LED Lighting industry.

Our aims are providing effective thermal management to dissipate thermal loads generated by LED systems and by prolonging our users with the optimum LED products, combined with optimized thermal management in terms of different design concepts and environmental conditions.

In order to satisfy our customer's satisfaction, we keep investigating new thermal technologies applied to LED lighting applications by providing our partners the optimum longer product life.

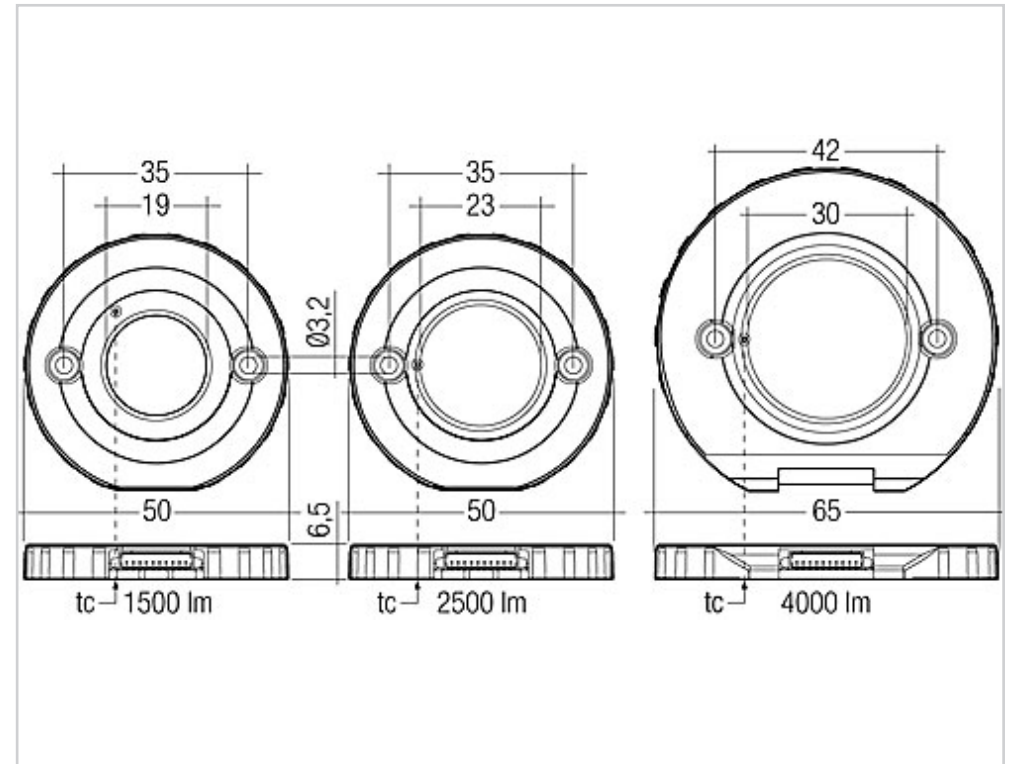
TALEXXmodule STARK SLE

Colour-Temperature	Type	Tridonic PN	AVC PN (active)	AVC PN (passive)
3000 K	STARK SLE 1500 930 CLA	89601343	Z5LT06L001	ST06100001
3000 K	STARK SLE 2500 930 CLA	89601338	Z5LT06M001	ST06200001
3000 K	STARK SLE 4000 930 CLA	89601333	-	ST06300001
4000 K	STARK SLE 1500 940 CLA	89601344	Z5LT06L001	ST06100001
4000 K	STARK SLE 2500 940 CLA	89601339	Z5LT06L001	ST06200001
4000 K	STARK SLE 4000 940 CLA	89601334	-	ST06300001



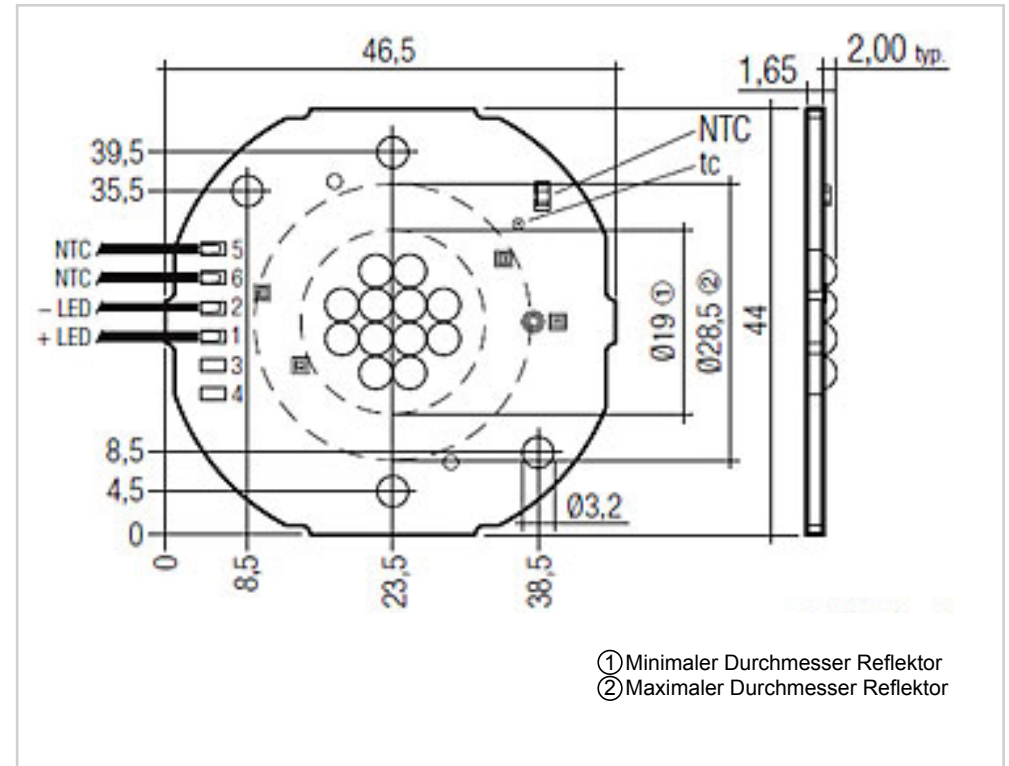
TALEX module STARK SLE

Colour-Temperature	Type	Tridonic PN	AVC PN (active)	AVC PN (passive)
3000 K	STARK SLE 1500 930 SEL	89601328	Z5LT06L001	ST06100001
3000 K	STARK SLE 2500 930 SEL	89601323	Z5LT06M001	ST06200001
3000 K	STARK SLE 4000 930 SEL	89601318	-	ST06300001
4000 K	STARK SLE 1500 940 SEL	89601329	Z5LT06L001	ST06100001
4000 K	STARK SLE 2500 940 SEL	89601324	Z5LT06L001	ST06200001
4000 K	STARK SLE 4000 940 SEL	89601319	-	ST06300001



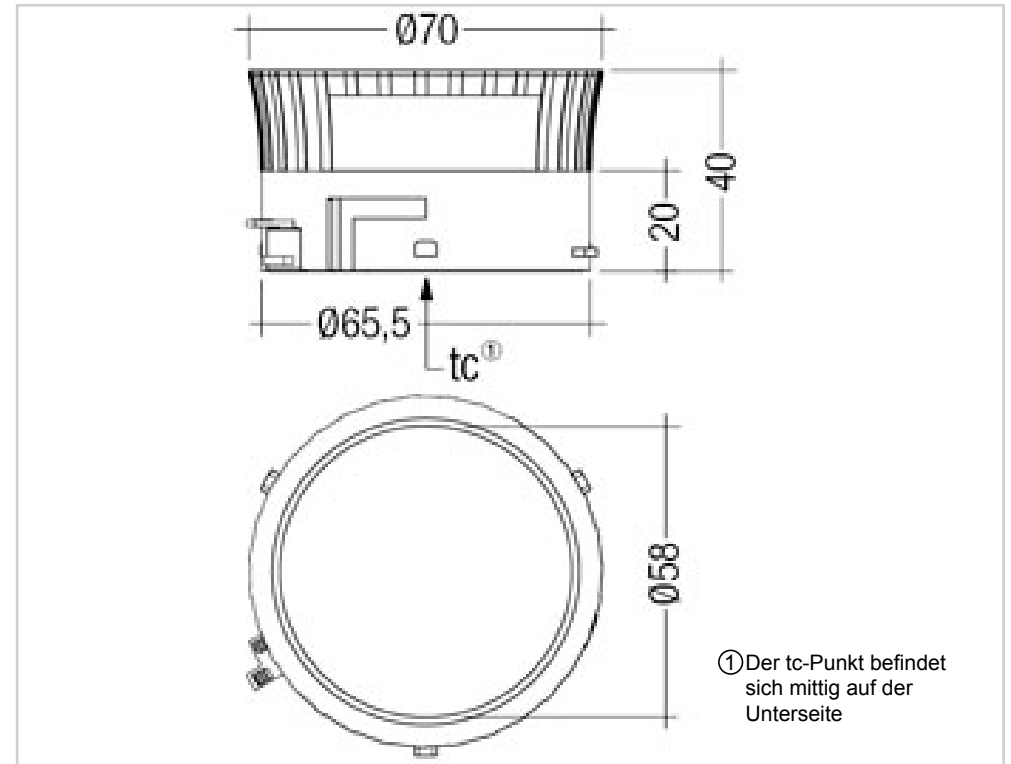
TALEX module SPOT

Colour-Temperature	Type	Tridonic PN	AVC PN (active)	AVC PN (passive)
3000K/4000K	SPOT P310-2	89601100/89601101	Z5LT06L001	ST06100001
3000K/4000K	SPOT P320-2	89601102/889601103	Z5LT06L001	ST06100001
3000K/4000K	SPOT P330-2	89601148/89601149	Z5LT06M001	ST06200001
3000K/4000K	SPOT P340-2	89601150/89601151	-	ST06300001
3000K/4000K/5000K	SPOT P350-2	89601152/89601153	-	ST06300001



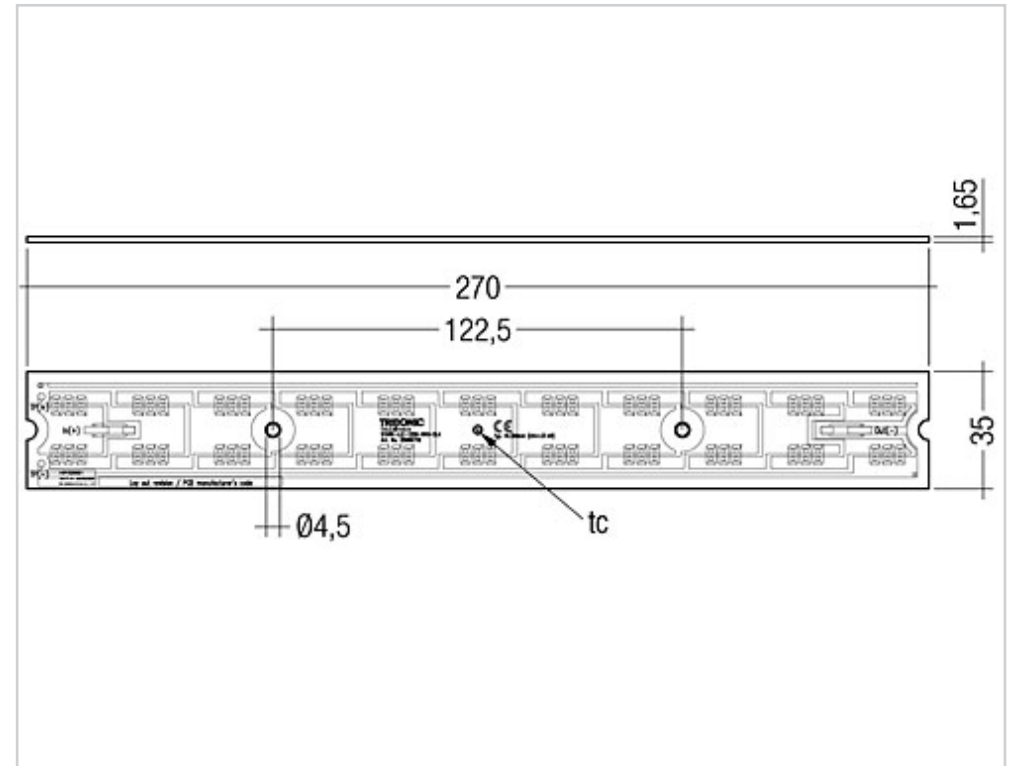
TALEXEngine STARK DLE TWIST

Colour-Temperature	Type	Tridonic PN	AVC PN (active)	AVC PN (passive)
3000K	STARK DLE TST F 1100 830 CLA	25000749	-	ST02T00001, ST04C00001, ST05300001
4000K	STARK DLE TST F 1100 840 CLA	25000750	-	ST02T00001, ST04C00001, ST05300001



TALEXXengine STARK LLE

Colour-Temperature	Type	Tridonic PN	AVC PN (active)	AVC PN (passive)
3000K	STARK LLE 1250 830 CLA	25000717	-	ST08200001
4000K	STARK LLE 1250 840 CLA	25000718	-	ST08200001



AVC provides thermal solutions by

- Aligning OEM/ODM business with a cost-effective operational model.
- Optimizing slim, light, and unique heatsinks available in customized options.
- Advising the better thermal expertise in passive and active cooling solutions.



Asia Vital Components Europa GmbH
Willicher Damm 127
41066 Moenchengladbach
Germany

Phone: +49 (0)2161 – 5662790
Fax: +49 (0)2161 – 5662799
Email: sales@avc-europa.de

